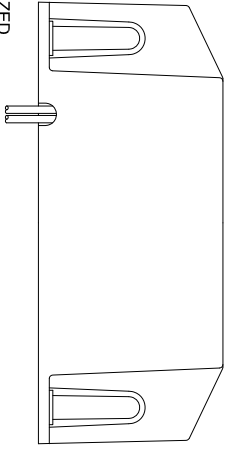
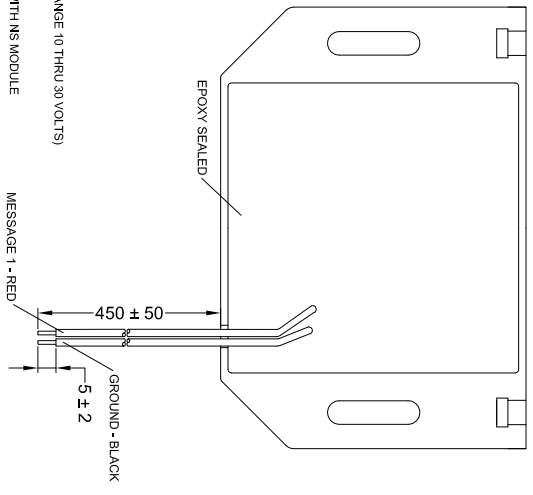
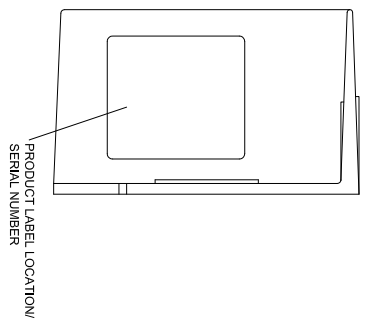
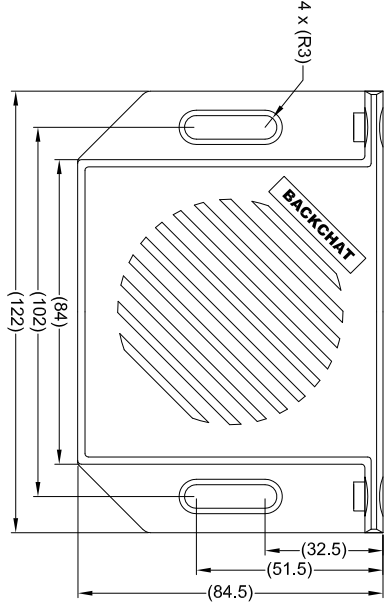
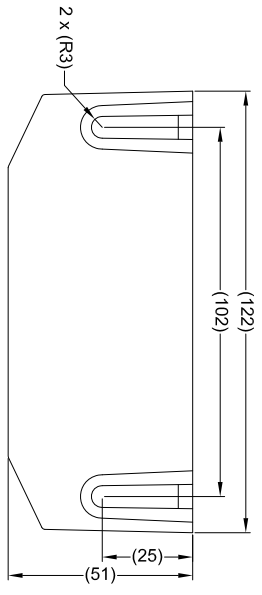


Revision Notes:		
Checked By:	Approved By:	Date Released:



**SPECIFICATION**

RATED VOLTAGE: 12 AND 24 VOLTS DIRECT CURRENT (WORKING VOLTAGE RANGE 10 THRU 30 VOLTS)

RATED CURRENT: 0.5 AMPERES OR LESS

SOUND PRESSURE: 90d4 DECIBELS AT TEST VOLTAGE OF 14 AND 28 VOLTS WITH NS MODULE

THE ALARM IS SILENT WITH REVERSE DOUBLE ENGAGED WITHIN 2 SECONDS

CABLE THICKNESS: ALL CABLES 240.2MM

MESSAGE(S): \*STAND CLEAR VEHICLE REVERSING\*

MESSAGE LIBRARY NUMBER(S): M1018D

VOICE/ACCENT: MALE

LANGUAGE: ENGLISH

- NOTES:
1. DIMENSIONS IN MM.
  2. MATERIAL: ABS PLASTIC - ULTRA VIOLET STABILIZED
  3. FINISH: BLACK
  4. FOR PRODUCT LABEL REFER TO BE-001396-00-11
  5. 2 X M6 X 25 BOLTS, 2 X M6 FLAT WASHER & 2 X M6 NUTS ARE SUPPLIED IN A PRESS SEAL BAG IN THE BOX.
  6. POWER & MESSAGE CABLES LENGTHS ARE MEASURED FROM CABLE ENTRY POINT ON HOUSING.

PROPRIETARY NOTICE

THIS DESIGN AND TECHNICAL INFORMATION APPEARING ON THIS DRAWING IS THE PROPERTY OF BRIGADE ELECTRONICS, AND IS DISCLOSED IN CONFIDENCE. IT IS NOT TO BE COPIED, REPRODUCED, REVEALED TO OR EXPLOITED BY OTHERS, EITHER IN WHOLE OR IN PART WITHOUT THE EXPRESS WRITTEN CONSENT OF BRIGADE ELECTRONICS.



	Assembly Pl Approval	Approved by	Checked by	Drawn by
	A/HEDDLE	DKERALI	JNEWMAN	MBUTLER
Angle of Projection	Units	Scale	Released	Assembly Ref
Third Angle	mm	N/A	22/07/11	BC-01(NS)
	Status	BC-01(NS)		
	RELEASED			
	Stock Code	#0378		
		BE-0014,16-00-11		